



# Swivel-Ease Xtreme Blind Chair

## Model MGS600

**⚠ WARNING:** Read all assembly instructions prior to using this product. Failure to follow these instructions and warnings may result in serious injury or death!

**STEP 1.** Begin by firmly sliding the **piston** into the **base**. Then, using (4) 1/4" x 1" carriage bolts [B] and (4) 1/4" nylock nuts attach the **seat post** to the **upper seat frame**. (Fig. 1)

**STEP 2.** Next, slide the **footrest** over the **piston** and then firmly slide the **seat post** onto the **piston**. (Fig. 2) Finally using (1) 5/16" x 1 3/4" carriage bolt [A] and (1) 5/16" nylock nut secure the **footrest** to the lowest point of the **seat post**.

Check to make sure you have all the required parts and hardware. If you find damaged or missing parts in a newly purchased product, please return this product to the retailer for replacement.

### Parts List (MGS600)

Part#	Description	Qty
UP16-0131	Upper Seat Frame	1
UP16-0132	Seat Post	1
UP16-0133	Piston	1
UP16-0134	Base	1
UP16-0135	Footrest	1
	Manual	1

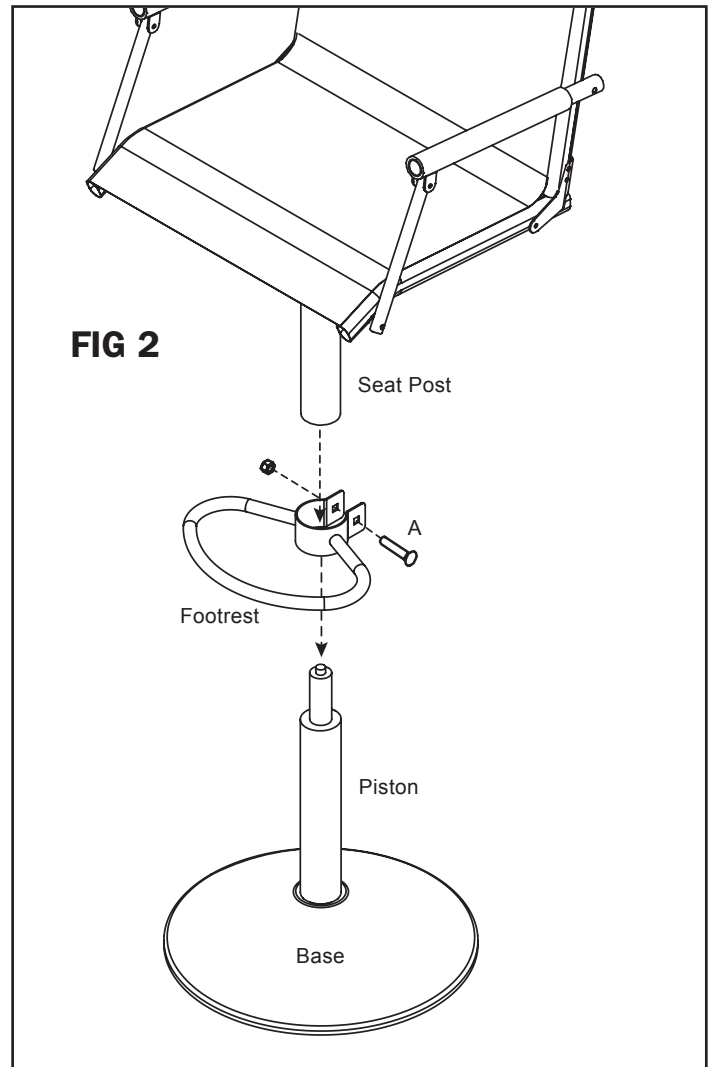
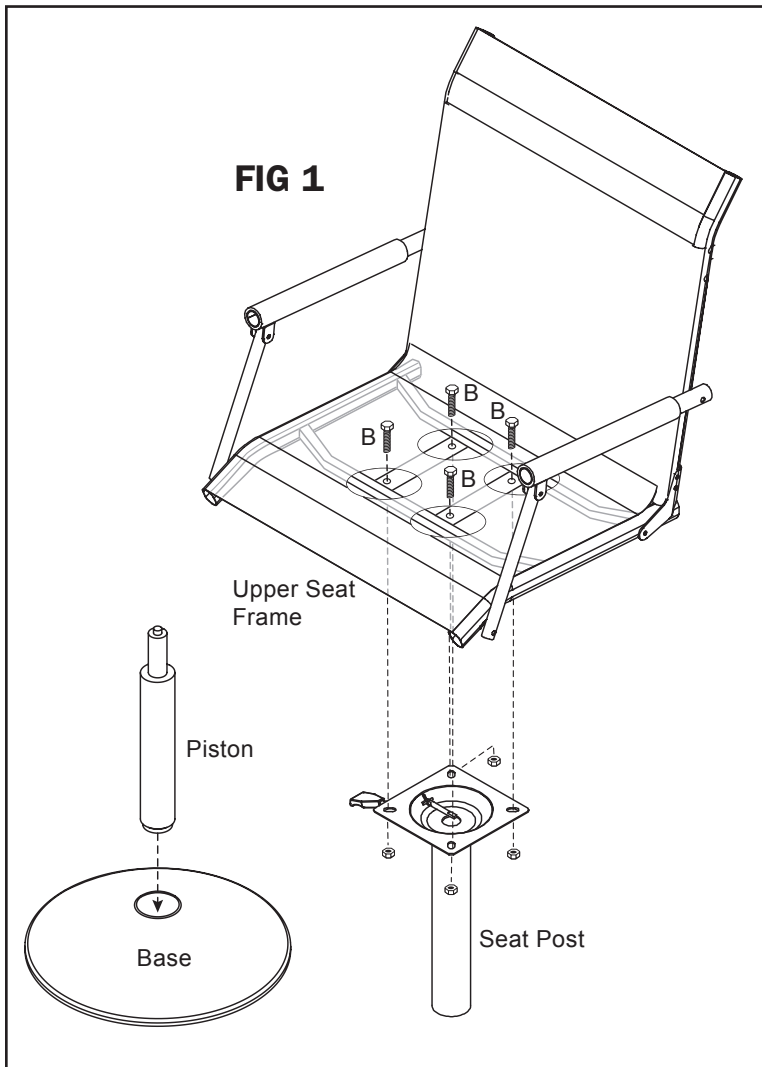
### HARDWARE LIST

UP77-0203	[A] 5/16" x 1 3/4" Carriage Bolt	1
UP77-0162	[B] 1/4" x 1" Carriage Bolt	4
UP77-0029	5/16" Nylock Nut	1
UP77-0001	1/4" Nylock Nut	4

### MGS600 SPECIFICATIONS

Maximum Load Capacity

300 lbs/136 kg



PO Box 454 • Windom, MN 56101 • (844) 745-7723 • www.GoMuddy.com

January 2018. Published by Premier Outdoor Equipment, LLC., Windom, Minnesota © 2018 Premier Outdoor Equipment, LLC. All rights reserved.

R2018.2