

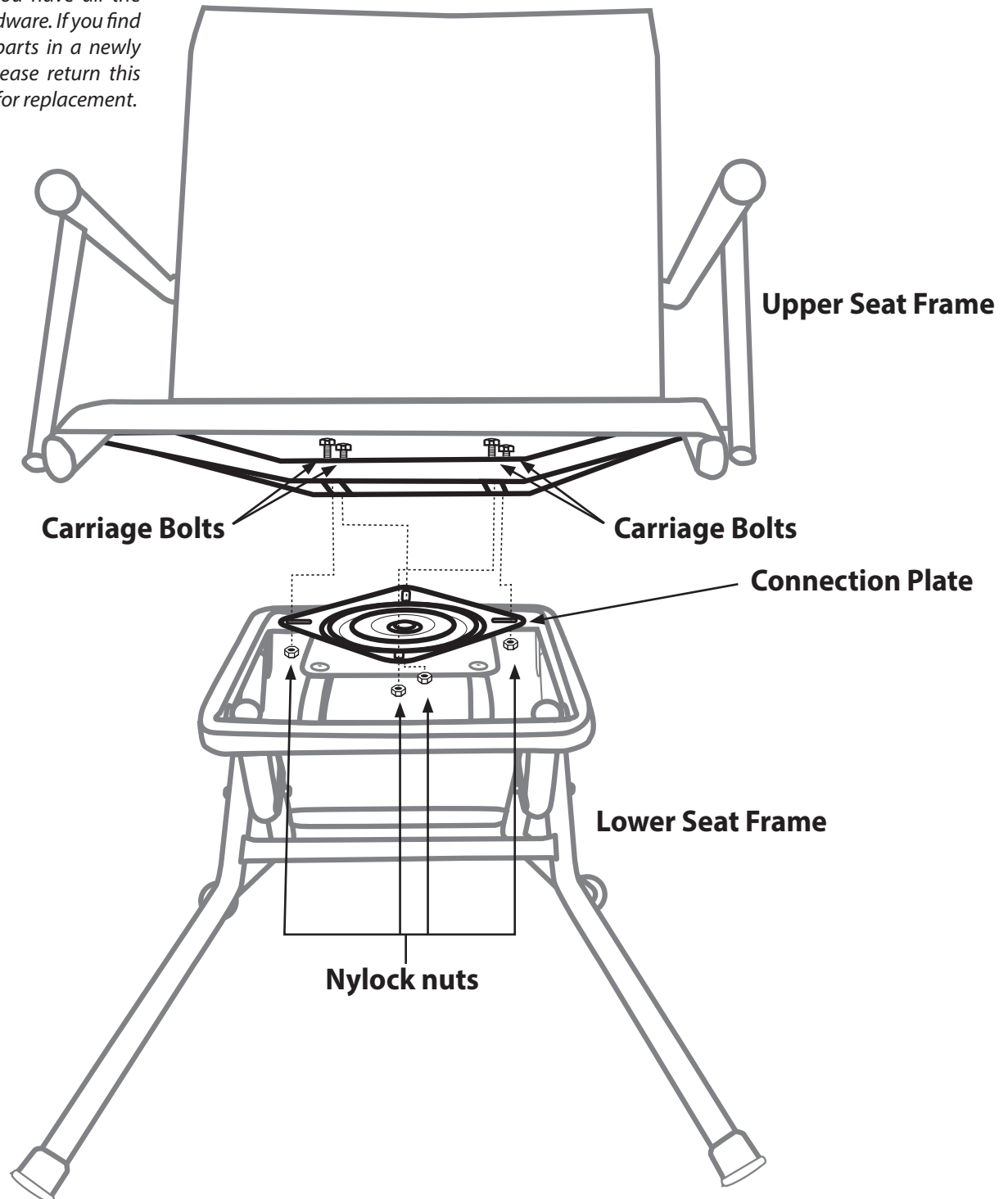


Swivel-Ease Blind Chair Model MGS400

STEP 1. Using the **connection plate**, align the holes on the **Upper Seat Frame** and **Lower Seat Frame**. Secure using (4) carriage bolts and (4) nylock nuts..

Check to make sure you have all the required parts and hardware. If you find damaged or missing parts in a newly purchased product, please return this product to the retailer for replacement.

Description	Quantity
UP77-0162 1/4" x 1" Carriage Bolt	4
UP77-0001 1/4" Nylock Nut	4



PO Box 454 • Windom, MN 56101 • (844) 745-7723 • www.GoMuddy.com

January 2018. Published by Premier Outdoor Equipment, LLC., Windom, Minnesota © 2018 Premier Outdoor Equipment, LLC. All rights reserved.